

FCC Information

This device complies with part 15 of the FCC Rules. Operation is subject to the following two conditions: (1) This device may not cause harmful interference, and (2) this device must accept any interference received, including interference that may cause undesired operation.

CAUTION: Changes or modifications not expressly approved by Summer Infant may void the users authority to operate this equipment.

NOTE: This equipment has been tested and found to comply with the limits for a Class B digital device, pursuant to part 15 of the FCC Rules. These limits are designed to provide reasonable protection against harmful interference in a residential installation. This equipment generates, uses and can radiate radio frequency energy and, if not installed and used in accordance with the instructions, may cause harmful interference to radio communications. However, there is no guarantee that interference will not occur in a particular installation. If this equipment does cause harmful interference to radio or television reception, which can be determined by turning the equipment off and on, the user is encouraged to try to correct the interference by one or more of the following measures:

- Reorient or relocate the receiver
- Increase the separation between the equipment and the receiver
- Connect the equipment into an outlet on a circuit different from that to which the receiver is connected.
- Consult the dealer or an experienced radio/TV technician for help

CAUTION: 1. To comply with FCC RF exposure compliance requirements, a separation distance of at least 20 cm must be maintained between the antenna of this device and all persons. 2. This transmitter must not be co-located or operating in conjunction with any other antenna or transmitter.

Summer Infant, Inc. Monitor Warranty Policy

Summer Infant, Inc. will repair or replace (at our option) your unit free of charge for 12 months from the date of purchase if the unit is defective in workmanship or materials. To claim your repair/replacement, the product must be returned to Summer Infant along with a copy of the original purchase receipt. In the absence of the purchase receipt, the warranty will be 12 months from the date of manufacture. This warranty does not apply to normal wear or damage from misuse, abuse, improper storage and handling, installation, accident, unauthorized repair or alteration. Please contact our Customer Service Department by phone at 1-800-268-6237 or via e-mail at summerinfant.com/contact for details.

For sale and use in the USA. The warranty is null and void if used outside its intended territory.


summer
infant®
visit us at www.summerinfant.com

Summer Infant stands behind all of its products.

If you are not completely satisfied or have any questions, please contact our Consumer Relations Team at

1-800-268-6237 or www.summerinfant.com/contact

(For Europe call +44 (0) 144 250 5000 or customerserviceuk@summerinfant.com)

connect with us:



Summer Infant, Inc.
1275 Park East Drive
Woonsocket, RI 02895 USA
1-800-268-6237

Summer Infant Europe, Ltd.
First Floor North Wing, Focus 31
Cleveland Road, Hemel Hempstead
HP2 7BW UK
+44 (0) 144 250 5000

© 2015 Summer Infant, Inc.
Colors and styles may vary.
Please retain information
for future reference.
MADE IN CHINA. 11/15

29550


summer
infant®

Please read the following instructions and warnings carefully.

Keep this instruction manual for future reference.

For technical support see back page.

For adult use only.

 **WARNING:**
Adult assembly required.
Keep small parts away from children when assembling.



INSTRUCTION MANUAL

BABBLE BAND™ WEARABLE DIGITAL AUDIO MONITOR



WARNING:

STRANGULATION HAZARD - Children have STRANGLED in cords. Keep this cord out of reach of children (more than 3 feet (0.9 m) away from the crib). Never use extension cords with AC adapters. Only use the AC adapters provided.



WARNING:

THIS PRODUCT CANNOT REPLACE RESPONSIBLE ADULT SUPERVISION.

- **STRANGULATION HAZARD** - Children have STRANGLED in cords. Keep this cord out of reach of children (more than 3 feet (0.9 m) away from the crib). Never use extension cords with AC adapters. Only use the AC adapters provided.
- When an AC adapter is plugged into an electrical outlet, do not touch the exposed end.
- Test monitor before first use, periodically, and when changing locations.
- Do not use near water (such as bathtub, sink, etc.).
- Keep away from heat sources (such as stoves, radiators, etc.).
- Make sure there is proper ventilation around all components. Do not place on sofas, cushions, beds, etc. which may block ventilation.
- This product is not a toy. Do not allow children to play with it.
- This product contains small parts. Adult assembly required. Exercise care when unpacking and assembling the product.

BATTERY WARNING:

- Dispose of exhausted battery properly.
- Keep all batteries away from children.
- Do not expose battery/band to water.
- The battery in the parent unit/band is not replaceable. Do not attempt to replace battery.



IMPORTANT SAFETY INSTRUCTIONS

- 1) Read Instructions - All the safety and operating instructions should be read before the product is operated.
- 2) Retain Instructions - The safety and operating instructions should be retained for future reference.
- 3) Heed Warnings - All warnings on the product and in the operating instructions should be adhered to.
- 4) Follow Instructions - All operating and use instructions should be followed.
- 5) Cleaning - Unplug this product from the wall outlet before cleaning. Do not use liquid cleaners or aerosol cleaners. Use a damp cloth for cleaning.
- 6) Attachments - Do not use attachments not recommended by the product manufacturer as they may cause hazards.
- 7) Water and Moisture - Do not use this product near water - for example, near a bath tub, wash bowl, kitchen sink, or laundry tub; in a wet basement; or near a swimming pool; and the like.
- 8) Accessories - Do not place this product on an unstable cart, stand, tripod, bracket, or table. The product may fall, causing serious injury to a child or adult, and serious damage to the product. Use only with a cart, stand, tripod, bracket, or table recommended by the manufacturer, or sold with the product. Any mounting of the product should follow the manufacturer's instructions, and should use a mounting accessory recommended by the manufacturer.
- 9) Ventilation - Slots and openings in the cabinet are provided for ventilation and to ensure reliable operation of the product and to protect it from overheating, and these openings must not be blocked or covered. The openings should never be blocked by placing the product on a bed, sofa, rug, or other similar surfaces. This product should not be placed in a built-in installation such as a bookcase or rack unless proper ventilation is provided or the manufacturer's instructions have been adhered to.
- 10) Power Sources - This product should be operated only from the type of power source indicated on the marking label. If you are not sure of the type of power supply to your home, consult your product dealer or local power company. For products intended to operate from battery power, or other sources, refer to the operating instructions.
- 11) Power-Cord Protection - Power-supply cords should be routed so that they are not likely to be walked on or pinched by items placed upon or against them, paying particular attention to cords at plugs, convenience receptacles, and the point where they exit from the product.
- 12) Power Lines - An outside antenna system should not be located in the vicinity of overhead power lines or other electric light or power circuits, or where it can fall into such power lines or circuits. When installing an outside antenna system, extreme care should be taken to keep from touching such power lines or circuits as contact with them might be fatal.
- 13) Overloading - Do not overload wall outlets, extension cords, or integral convenience receptacles as this can result in a risk of fire or electric shock.
- 14) Object and Liquid Entry - Never push objects of any kind into this product through openings as they may touch dangerous voltage points or short-out parts that could result in a fire or electric shock. Never spill liquid of any kind on the product.
- 15) Servicing - Do not attempt to service this product yourself as opening or removing covers may expose you to dangerous voltage or other hazards. Refer all servicing to qualified service personnel.
- 16) Damage Requiring Service - Unplug this product from the wall outlet and refer servicing to qualified service personnel under the following conditions:
 - a) When the power-supply cord or plug is damaged,
 - b) If liquid has been spilled, or objects have fallen into the product,
 - c) If the product has been exposed to rain or water,
 - d) If the product does not operate normally by following the operating instructions. Adjusting only those controls that are covered by the operating instructions as an improper adjustment of other controls may result in damage and will often require extensive work by a qualified technician to restore the product to its normal operation,
 - e) If the product has been dropped or damaged in any way, and
 - f) When the product exhibits a distinct change in performance.
- 17) Replacement Parts - When replacement parts are required, be sure the service technician has used replacement parts specified by the manufacturer or have the same characteristics as the original part. Unauthorized substitutions may result in fire, electric shock, or other hazards.
- 18) Safety Check - Upon completion of any service or repairs to this product, ask the service technician to perform safety checks to determine that the product is in proper operating condition.
- 19) Heat - The product should be situated away from heat sources such as radiators, heat registers, stoves, or other products (including amplifiers) that produce heat.

CARE & CLEANING:

Step 1: Power the Band off before cleaning.

Step 2: Remove the monitor from the Band by pushing it out from the bottom.

Step 3: Wipe clean with a damp cloth or sponge. Wipe dry or air dry. Do not immerse in water.

Step 4: Do not use Babble Band if band is still wet. Ensure it is dry before placing monitor unit back onto strap.

Step 5: Push monitor unit back into Band from below. Make sure to align the dots located on the bottom of the band before use.

PROBLEM SOLVING:

No sound coming from the Band

- Make sure the Baby Unit is plugged in and powered on.
- Make sure electrical outlet is working.
- Set volume to a higher setting.
- Make sure the battery in the Band is fully charged.

Squealing Noise

- Move the Band and Baby Unit farther apart, the squealing sound indicates the units are too close together
- Turn down the volume on band.

Weak reception or no reception

- Make sure both Band and Baby Unit are turned on.
- Move the Band closer to the Baby Unit.
- Make sure the battery in the Band is fully charged.

Consecutive beeping from Band

- Check to see if Baby Unit is on and has power. Green power on LED will indicate Baby Unit is ON.
- Move within range of Baby Unit to establish a connection.
- If sound is coming from Band and beeping continues then battery is low. Place Band on Baby Unit to charge.

REPLACEMENT PARTS AND PRODUCT REGISTRATION

If you need to order a replacement part you can contact our Customer Relations Department at **1-800-268-6237** or via email at www.summerinfant.com/contact

- Babble Band: #29550-30
- AC Adapter: #29550-13

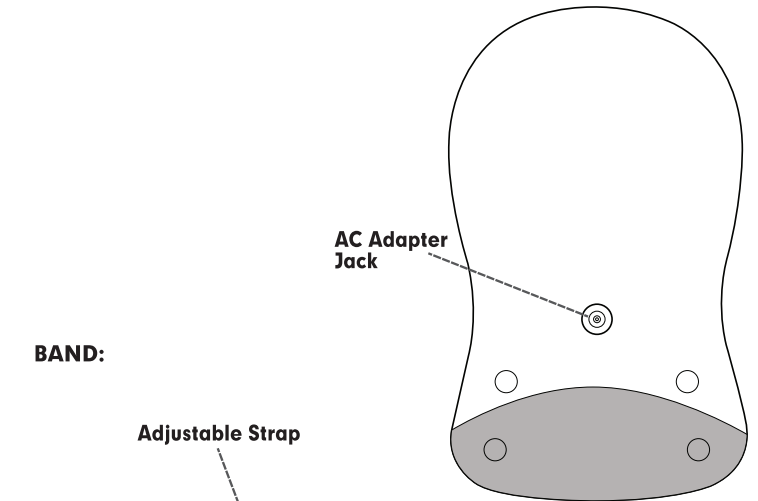
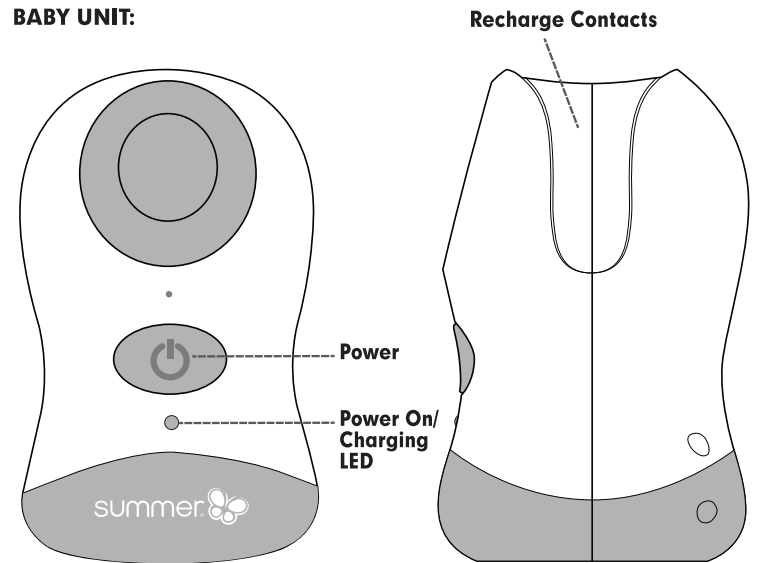
To register your product, visit:

www.summerinfant.com/product-registration/product-registration-form

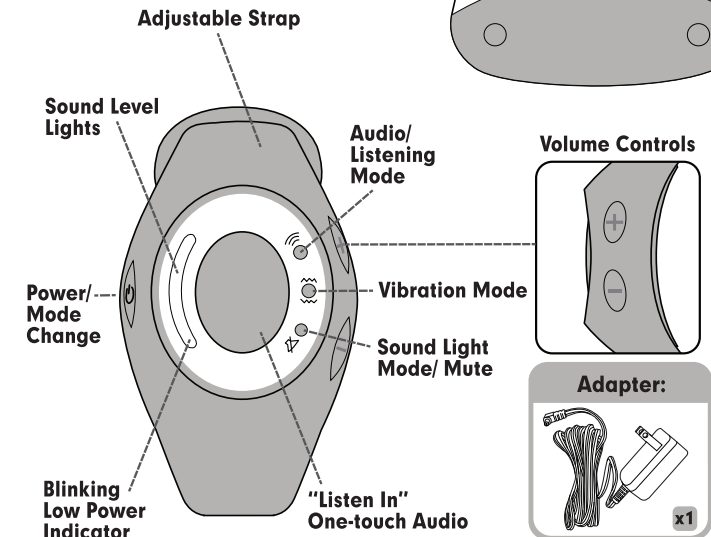
If you experience a problem that is not noted in this manual, please do not return the product to the store. Our Customer Service Department may have a simple solution to your problem. Please contact us at 1-800-268-6237 or email us at summerinfant.com/contact.

FEATURES & COMPONENTS:

BABY UNIT:




BAND:



SETUP & USE:

⚠ WARNING: **STRANGULATION HAZARD** - Children have **STRANGLED** in cords. Keep this cord out of reach of children (more than 3 feet (0.9 m) away from the crib). Never use extension cords with AC Adapters. Only use the AC Adapters provided.

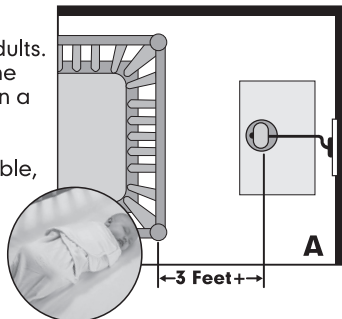


Baby unit setup in nursery:

To set up the system, you will need two adults. One adult should be in the nursery with the Baby Unit (transmitter) while the other is in a different room with the Band (receiver).

Note: The Band includes a non-replaceable, rechargeable battery and it should be charged for 4-5 hours before first use.

Step 1: Place the Baby Unit in the nursery, on a flat surface, and ensure the cord is more than 3-feet from the crib and out of baby's reach (Figure A). Plug the AC adapter into a standard electrical outlet.



Step 2: Press the Power (⏻) button on the front of Baby Unit for 2-seconds to turn the unit on.

Step 3: Press the power button on the side of the Band for 4-seconds to turn it on.

Step 4: Have the adult in the baby's room speak at different levels to adjust the volume to the desired setting. The volume can be adjusted up or down using the Volume Control buttons on the side of the Parent Unit.

Pairing Baby Unit and Band:

The monitor is paired at the factory for privacy reasons. There are instances when the Baby Unit and Band may require pairing:

Step 1: Connect the Baby Unit to its power supply and make sure unit is powered OFF.

Step 2: Turn ON the Band.

Step 3: Press and hold the "VOL -" button and at the same time press the POWER button and hold for about 4 seconds. A continuous audible BEEP and red flashing lights will occur. The Band is now ready to be paired.

Step 4: Within 20 seconds, turn on the Baby Unit. A single BEEP will emit from the Band to signify successful syncing.

If this is unsuccessful, you should repeat steps 1-4.

To Charge Band:

- Turn Band off and place on the Baby Unit for 5-6 hours to fully charge (Figure B). Be sure to fully seat Band on the Baby Unit to start charging.



Baby Unit LED Guide:

- When Band is placed on baby unit, LED will begin to blink Red indicating that Band is charging.
- When Band is fully charged, LED will turn solid Red.
- When Band is NOT charging and the Baby Unit is powered on, LED will be Solid Green.

Band Modes:

- To Toggle Between Modes: Press the Power (⏻) button once to change modes. Band will blink 5 times then become solid indicating what mode you are on.
- Audio Mode (📶): Automatic voice activation allows parents to hear any sounds coming from baby for 3 minutes. Volume adjustments allow parents to set the audio level as desired. Sound lights also function in this mode.
- Vibration Mode (📶): The band will vibrate at 8 second intervals when sound is detected in baby's room. Sound lights continue to function in this mode.
- Sound Light Mode/Mute (🔇): Sound-activated lights provide a visual cue to the level of noise coming from baby's room.

Listen In Button:

- Simply press and hold the center button on the band to hear sound coming from baby's room. Release button to stop listening in.

SPECIAL FEATURES:

- **Digital Technology:** The Band and Baby Unit are paired for security reasons. The monitor functions on a digital signal, providing a private and secure connection at all times.
- **Power Save Mode:** When using Audio mode, the band will go into Power Save Mode to conserve battery after 3 minutes. When noise is detected, audio will turn on and remain on for 3 minutes. After 3 minutes, the band will go back into Power Save Mode to prolong battery life. If noise persists after the 3 minutes is up, it will go silent for 3 seconds then audio will turn back on for another 3 minutes. (The 3 second pause is not a defect. It is listening for noise to turn audio on if needed.)
- **Non-Replaceable, Rechargeable Battery:** The band features a non-replaceable, rechargeable battery. Normal use will provide up to 8-hours of use before charging is necessary.
- **Out of Range Alert:** If the band is too far from the baby unit, it will be "out of range" and emit 2 consecutive beeps. The beeps will continue until the band is moved back in range.
- **Low Battery Alert:** If the band is low on battery power, it will also emit 2 consecutive beeps. The low battery beep will continue until the unit is charged.

MISPLACED/LOST BABBLE BAND:

Locating Band if lost

- Turn off Baby Unit.
- Band will emit 2 consecutive beeps.
- Please Note: Band must be on and battery charged in order to locate.